



**MATERIALS
HANDLING
WORLD**

01484 400666

HANDLING YOUR ADVERTISING

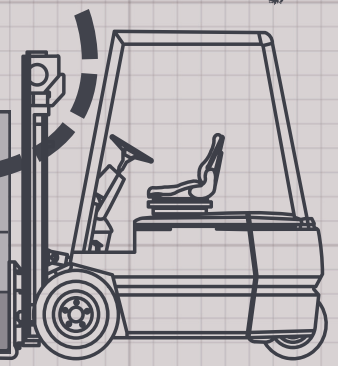
Advertising Guide
2024



Team up with us to promote your company

Package Levels

Gold	£1,420
Silver	£600
Bronze	£200
ASK ABOUT OUR FREE DESIGN SERVICE!	



A pallet load of advertising

The sustainability scheme is about projects that enhance and empower producers to better welfare. Projects for 2021 include a project to explore ways producers can become carbon neutral.

- Gold** Full page magazine advert, website banner and press releases and social media coverage.
- Silver** Full page magazine advert, website banner and press releases and social media coverage.
- Bronze** Press releases and social media coverage

OUR PACKAGES

Don't forget the MHW directory!

rates from £200 per month

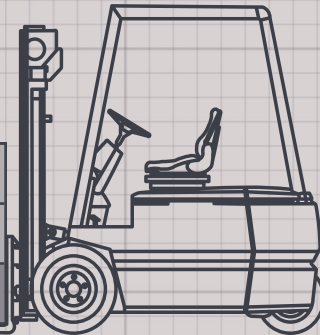
MAGAZINE ADVERTISING

Promoting through social media

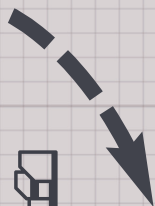
The Sizes



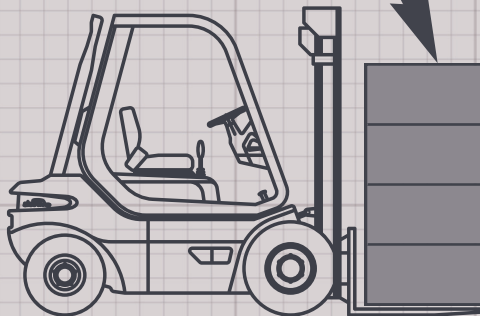
Full Page	170 width x 240 depth
Half Page	150 width x 105 depth
3mm bleed - supply as pdf	



The Options!



One of the reasons we have been number one for over 20 years



Full Page	£800
Half Page	£450
Press rReleases	£200
DISCOUNT AVAILABLE ON BLOCK BOOKINGS!	

BRINGING MATTERIAL HANDLING NEWS AND FEATURES FOR OVER 20 YEARS...

Forklift, robotic, trucking, handling and AI advancements in a fast moving industry.

A thriving and interactive social media audience.

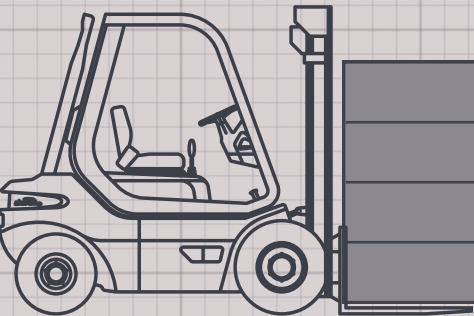
Adventurous digital magazines with the reviews you want to read, compacted and delivered to a captive audience.

Online directory to ensure customers are able to get the information about your business 24/7.

rates from £450 per month

WEBSITE ADVERTISING

Promoting through google news



Top Banner	£550 a month
Side Banner	£320 a month
News Banners	£320 a month
Try keywords in news stories	

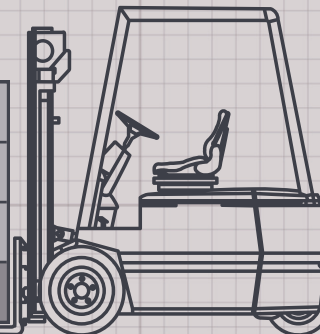
The Prices



The Options!

Delivered on our pages using google analytics

Top Banner	970 pixels wide X 250 pixels deep
Side Banner	300 pixels wide X 250 pixels deep
News Banner	300 pixels wide X 250 pixels deep
DISCOUNT AVAILABLE ON BLOCK BOOKINGS!	



Follow us as we deliver your advertising through news and features...

Win in 5 minutes of writing a news story, media distributors have taken that news and delivered it around the internet.

Google news and other news agencies push the news to subscribers thirsty for information.

By delivering interesting content that businesses want to read your adverts can piggyback these the news channels as well as our own comprehensive newsletter subscribers.

Our online directory ensures your brand stays in front of your target audience

rates from £320 per month

FEATURES AND DEADLINES 24/25

May/June 2024

Battery Technology

Deadline: April 26th 2024

July/August 2024

Forklifts

Deadline: June 28th 2024

September/October 2024

Trucking

Deadline: August 30th 2024

November/December 2024

Health and Safety

Deadline: October 25th 2024

January/February 2025

Pallets and Crates

Deadline: December 27th 2024

BRINGING MATERIAL HANDLING NEWS AND FEATURES FOR OVER 20 YEARS...

Forklift, robotic, trucking, handling and AI advancements in a fast moving industry.

A thriving and interactive social media audience.

Adventurous digital magazines with the reviews you want to read, compacted and delivered to a captive audience.

Online directory to ensure customers are able to get the information about your business 24/7.

rates from £320 per month